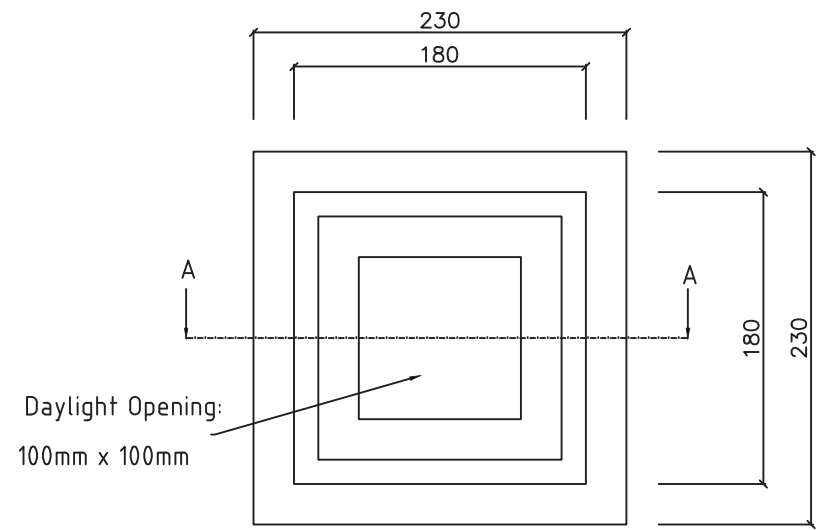
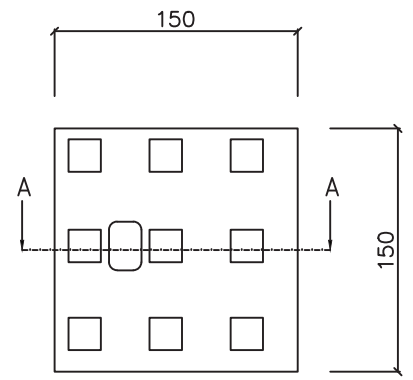


RevNo	Revision note	Date	Signature	Checked

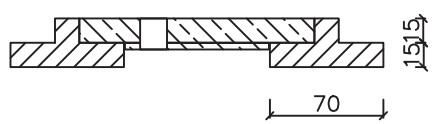
FRAME DIMENSIONS



COVER DIMENSIONS



COVER AND FRAME SIDE VIEW
VIEW A - A



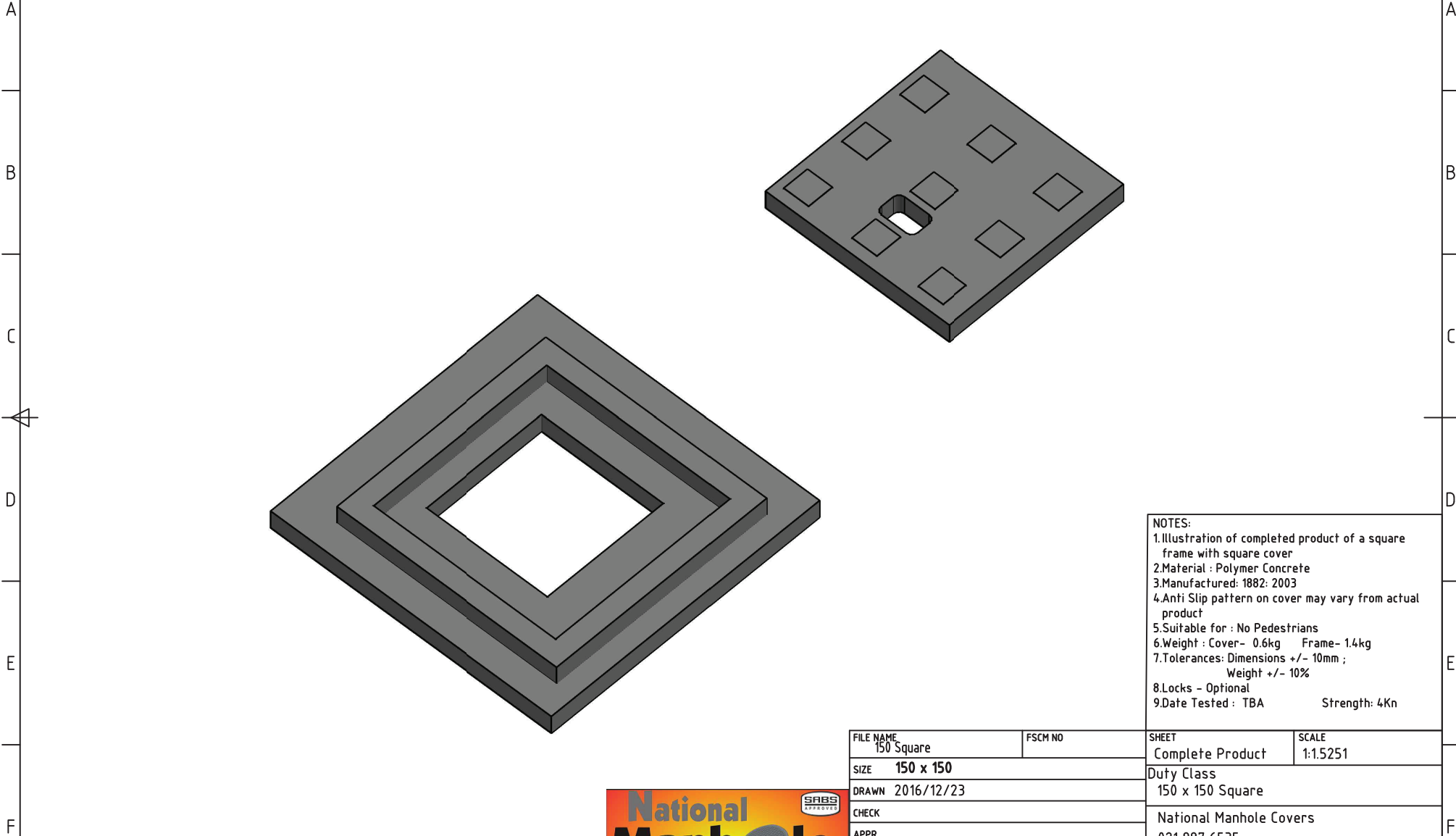
- NOTES:
1. Illustration of completed product of a square frame with square cover
 2. Material : Polymer Concrete
 3. Manufactured: 1882: 2003
 4. Anti Slip pattern on cover may vary from actual product
 5. Suitable for : No Pedestrians
 6. Weight : Cover- 0.6kg Frame- 1.4kg
 7. Tolerances: Dimensions +/- 10mm ;
Weight +/- 10%
 8. Locks - Optional
 9. Date Tested : TBA Strength: 4Kn

FILE NAME 150 Square	FSCM NO	SHEET Manufacturing	SCALE 1:1.5251
SIZE 150 x 150		Duty Class 150 x 150 Square	
DRAWN 2016/12/23		National Manhole Covers 021 987 6555	
CHECK			
APPR.			
ISSUED National Manhole Covers			
REV		DWG NO DRW 004-01	
CONTRACT NO			



1 2 3 4 5 6 7 8

RevNo	Revision note	Date	Signature	Checked



NOTES:
 1. Illustration of completed product of a square frame with square cover
 2. Material : Polymer Concrete
 3. Manufactured: 1882: 2003
 4. Anti Slip pattern on cover may vary from actual product
 5. Suitable for : No Pedestrians
 6. Weight : Cover- 0.6kg Frame- 1.4kg
 7. Tolerances: Dimensions +/- 10mm ;
 Weight +/- 10%
 8. Locks - Optional
 9. Date Tested : TBA Strength: 4Kn

FILE NAME 150 Square	FSCM NO	SHEET Complete Product	SCALE 1:1.5251
SIZE 150 x 150	Duty Class 150 x 150 Square		
DRAWN 2016/12/23	National Manhole Covers 021 987 6535		
CHECK	DWG NO DWG 004 - 02		
APPR.			
ISSUED National Manhole Covers			
REV			
CONTRACT NO			



1 2 3 4 5 6 7 8