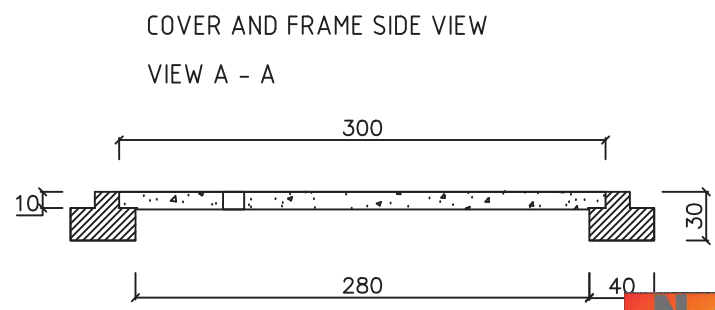
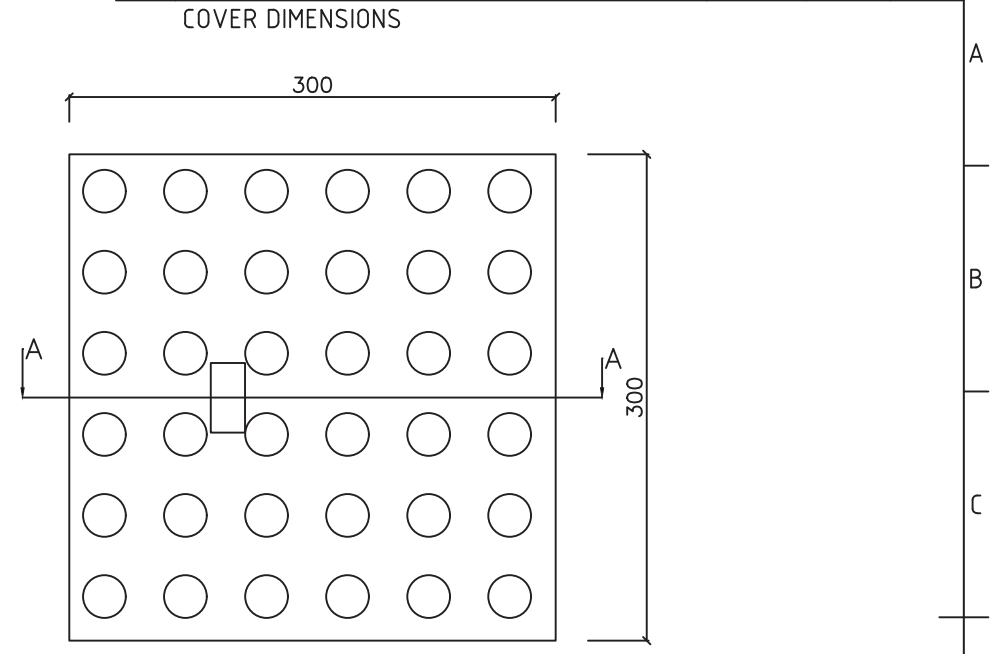
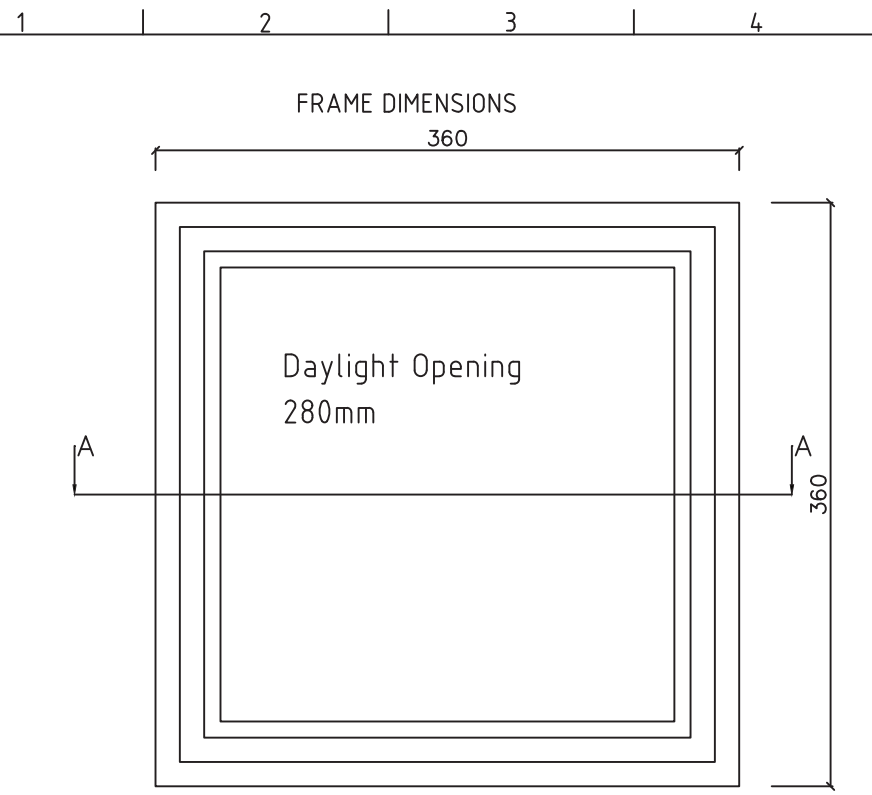
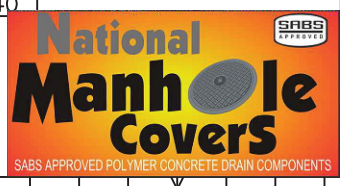


RevNo	Revision note	Date	Signature	Checked



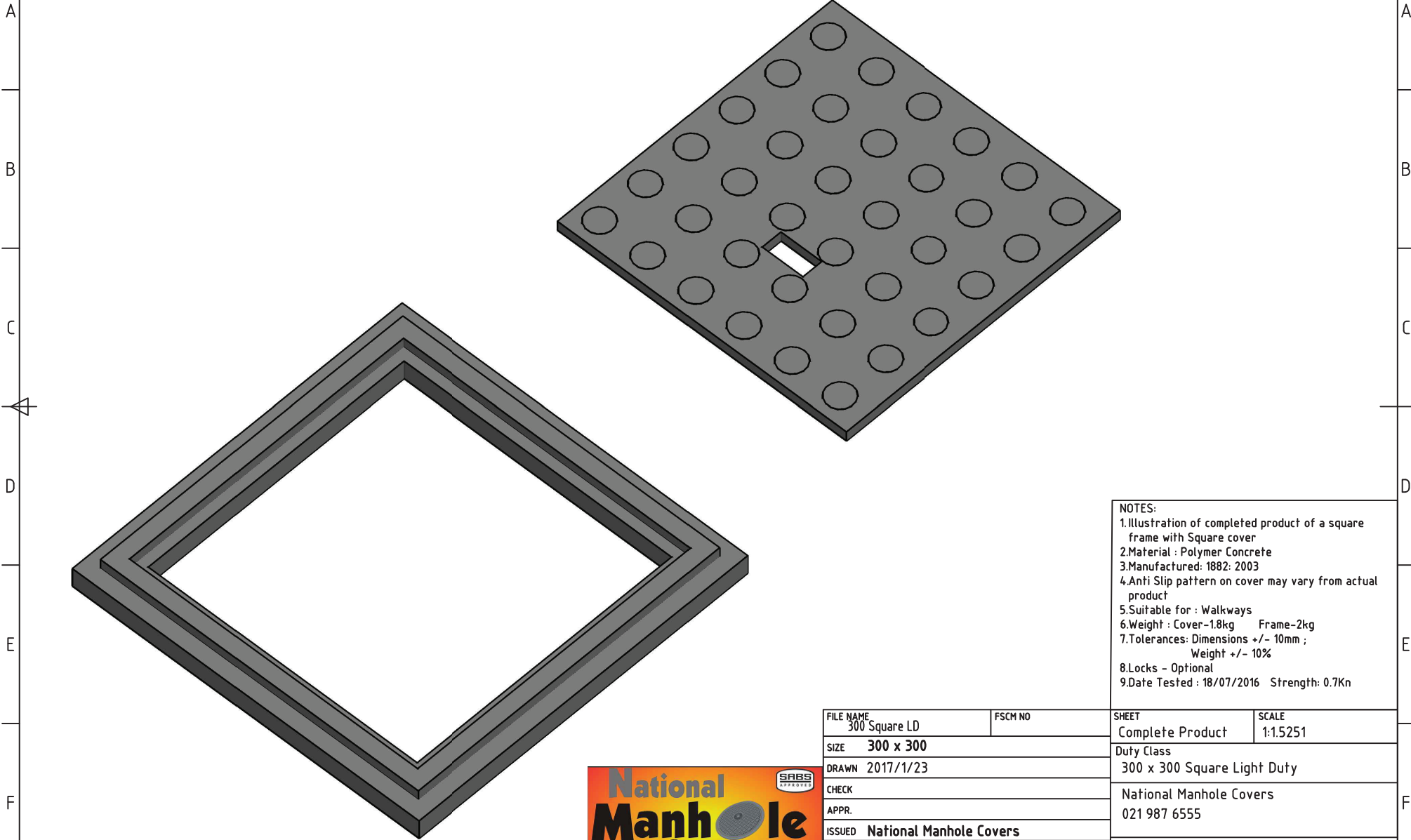
- NOTES:
1. Illustration of completed product of a square frame with square cover
 2. Material : Polymer Concrete
 3. Manufactured: 1882: 2003
 4. Anti Slip pattern on cover may vary from actual product
 5. Suitable for : Walkways
 6. Weight : Cover-1.8kg Frame-2kg
 7. Tolerances: Dimensions +/- 10mm ; Weight +/- 10%
 8. Locks - Optional
 9. Date Tested :18/07/2016 Strength: 0.7Kn

FILE NAME 300 Square LD	FSCM NO	SHEET Manufacturing	SCALE 1:1.5251
SIZE 300 x 300		300 x 300 Square LD	
DRAWN 2017/1/23		National Manhole Covers 021 987 6555	
CHECK		DWG NO DRW 013-01	
APPR.			
ISSUED National Manhole Covers			
REV			
CONTRACT NO			



1 2 3 4 5 6 7 8

RevNo	Revision note	Date	Signature	Checked



NOTES:
 1. Illustration of completed product of a square frame with Square cover
 2. Material : Polymer Concrete
 3. Manufactured: 1882: 2003
 4. Anti Slip pattern on cover may vary from actual product
 5. Suitable for : Walkways
 6. Weight : Cover-1.8kg Frame-2kg
 7. Tolerances: Dimensions +/- 10mm ; Weight +/- 10%
 8. Locks - Optional
 9. Date Tested : 18/07/2016 Strength: 0.7Kn

FILE NAME 300 Square LD	FSCM NO	SHEET Complete Product	SCALE 1:1.5251
SIZE 300 x 300		Duty Class 300 x 300 Square Light Duty	
DRAWN 2017/1/23		National Manhole Covers 021 987 6555	
CHECK		DWG NO DWG 013 - 02	
APPR.			
ISSUED National Manhole Covers			
REV			
CONTRACT NO			



1 2 3 4 5 6 7 8