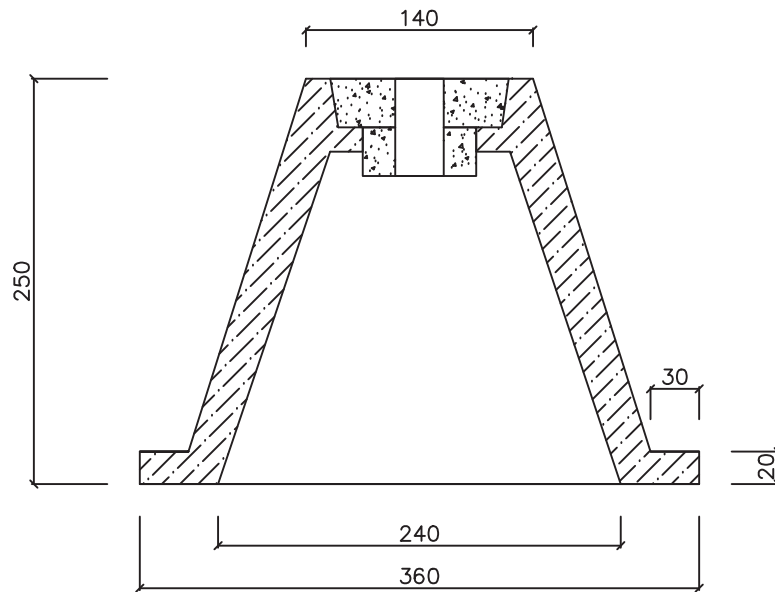
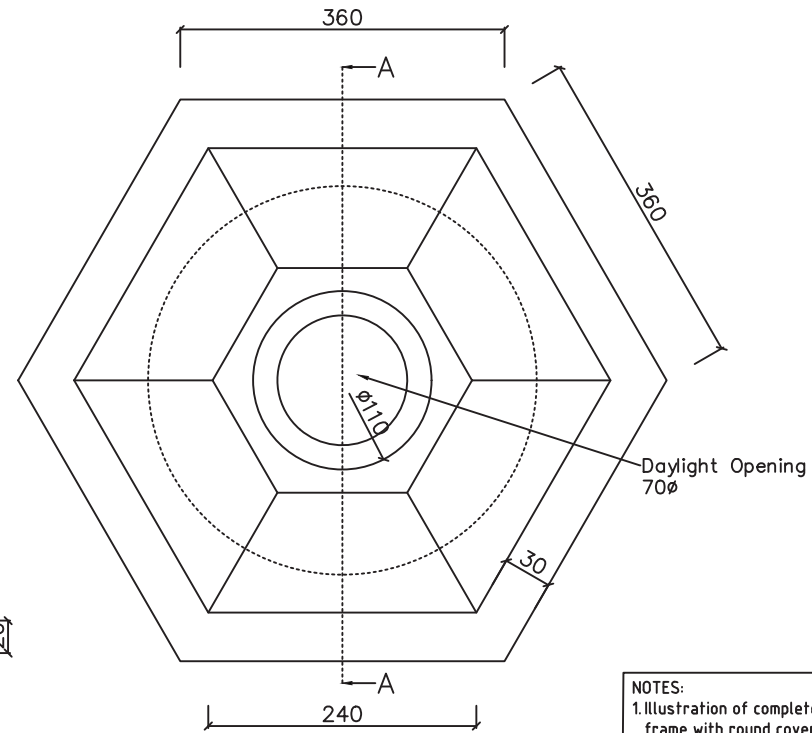


RevNo	Revision note	Date	Signature	Checked

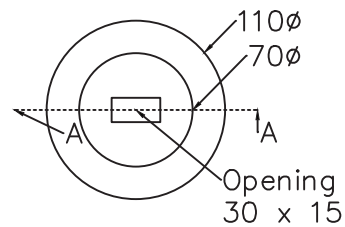
COVER AND FRAME SIDE VIEW  
VIEW A - A



FRAME DIMENSIONS



COVER DIMENSIONS



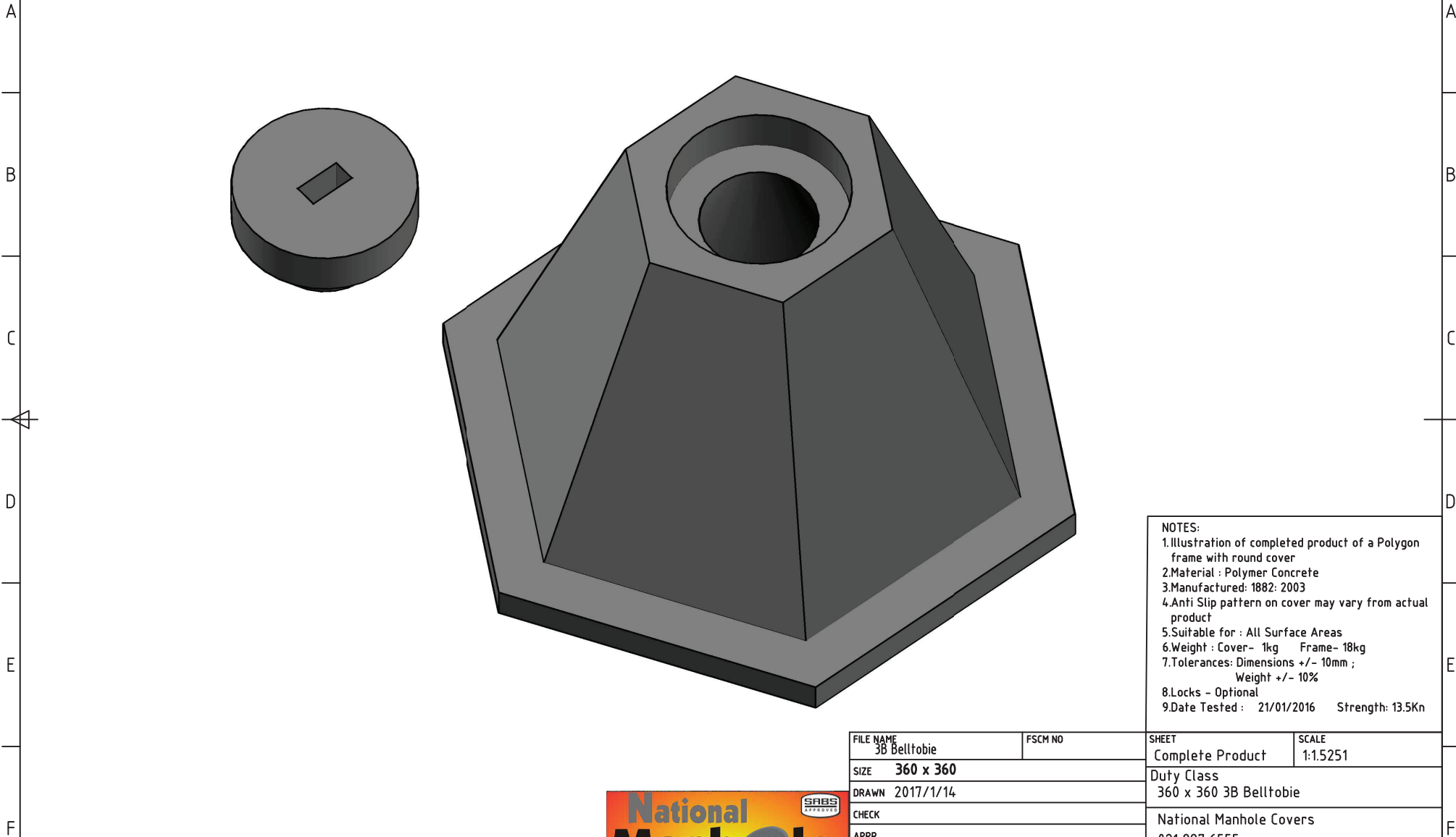
- NOTES:
1. Illustration of completed product of a Polygon frame with round cover
  2. Material : Polymer Concrete
  3. Manufactured: 1882: 2003
  4. Anti Slip pattern on cover may vary from actual product
  5. Suitable for : All Surface Areas
  6. Weight : Cover- 1kg Frame- 18kg
  7. Tolerances: Dimensions +/- 10mm ;  
Weight +/- 10%
  8. Locks - Optional
  9. Date Tested : 21/01/2016 Strength: 13.5Kn

FILE NAME 3B Belltobie	FSCM NO	SHEET Manufacturing	SCALE 1:1.5251
SIZE 360 x 360		Duty Class 360 x 360 3B Belltobie	
DRAWN 2017/1/14		National Manhole Covers 021 987 6555	
CHECK		DWG NO DRW 008-01	
APPR.			
ISSUED National Manhole Covers			
REV			
CONTRACT NO			



1 2 3 4 5 6 7 8

RevNo	Revision note	Date	Signature	Checked



**NOTES:**  
 1. Illustration of completed product of a Polygon frame with round cover  
 2. Material : Polymer Concrete  
 3. Manufactured: 1882: 2003  
 4. Anti Slip pattern on cover may vary from actual product  
 5. Suitable for : All Surface Areas  
 6. Weight : Cover- 1kg Frame- 18kg  
 7. Tolerances: Dimensions +/- 10mm ; Weight +/- 10%  
 8. Locks - Optional  
 9. Date Tested : 21/01/2016 Strength: 13.5Kn

FILE NAME 3B Belltobie	FSCM NO	SHEET Complete Product	SCALE 1:1.5251
SIZE 360 x 360		Duty Class 360 x 360 3B Belltobie	
DRAWN 2017/1/14		National Manhole Covers 021 987 6555	
CHECK		DWG NO DWG 008 - 02	
APPR.			
ISSUED National Manhole Covers			
REV			
CONTRACT NO			



1 2 3 4 5 6 7 8