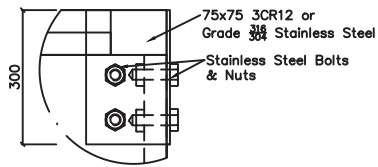
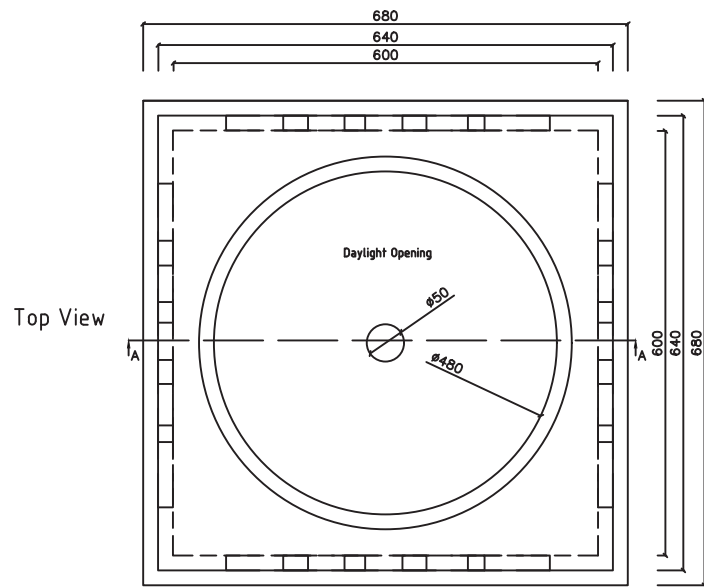
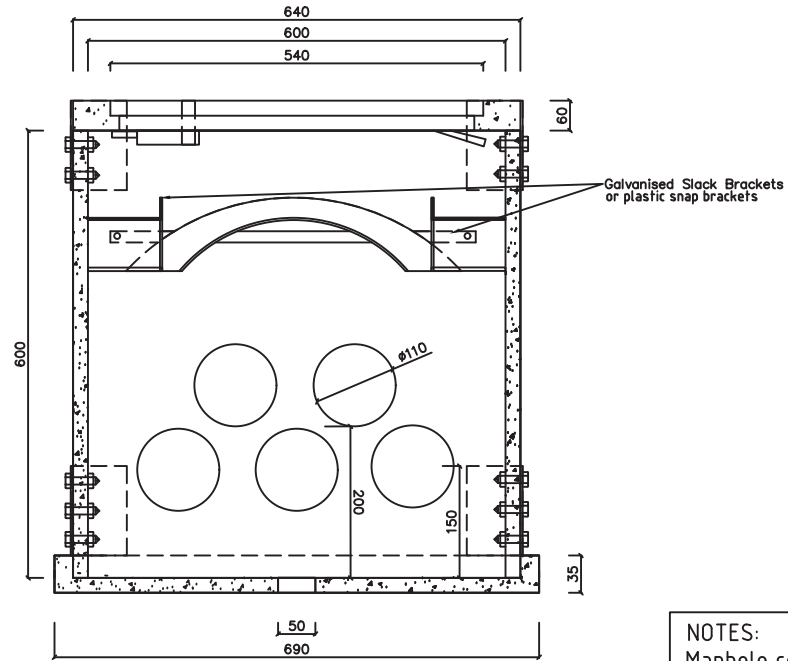
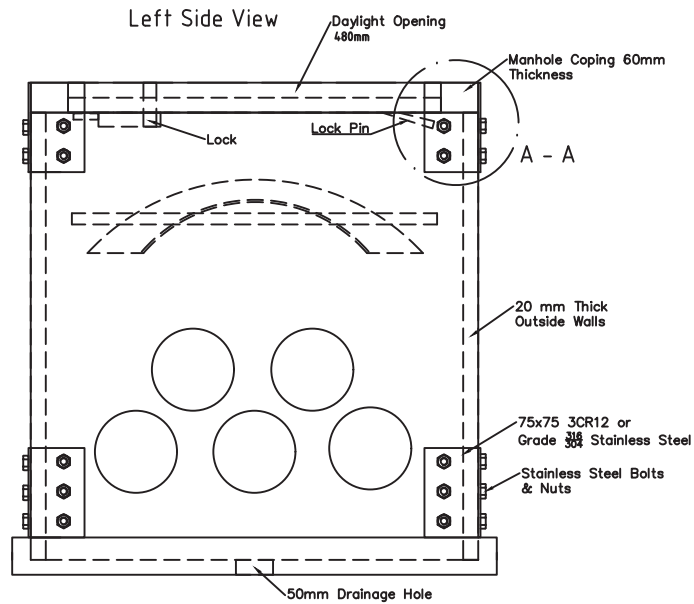


RevNo	Revision note	Date	Signature	Checked



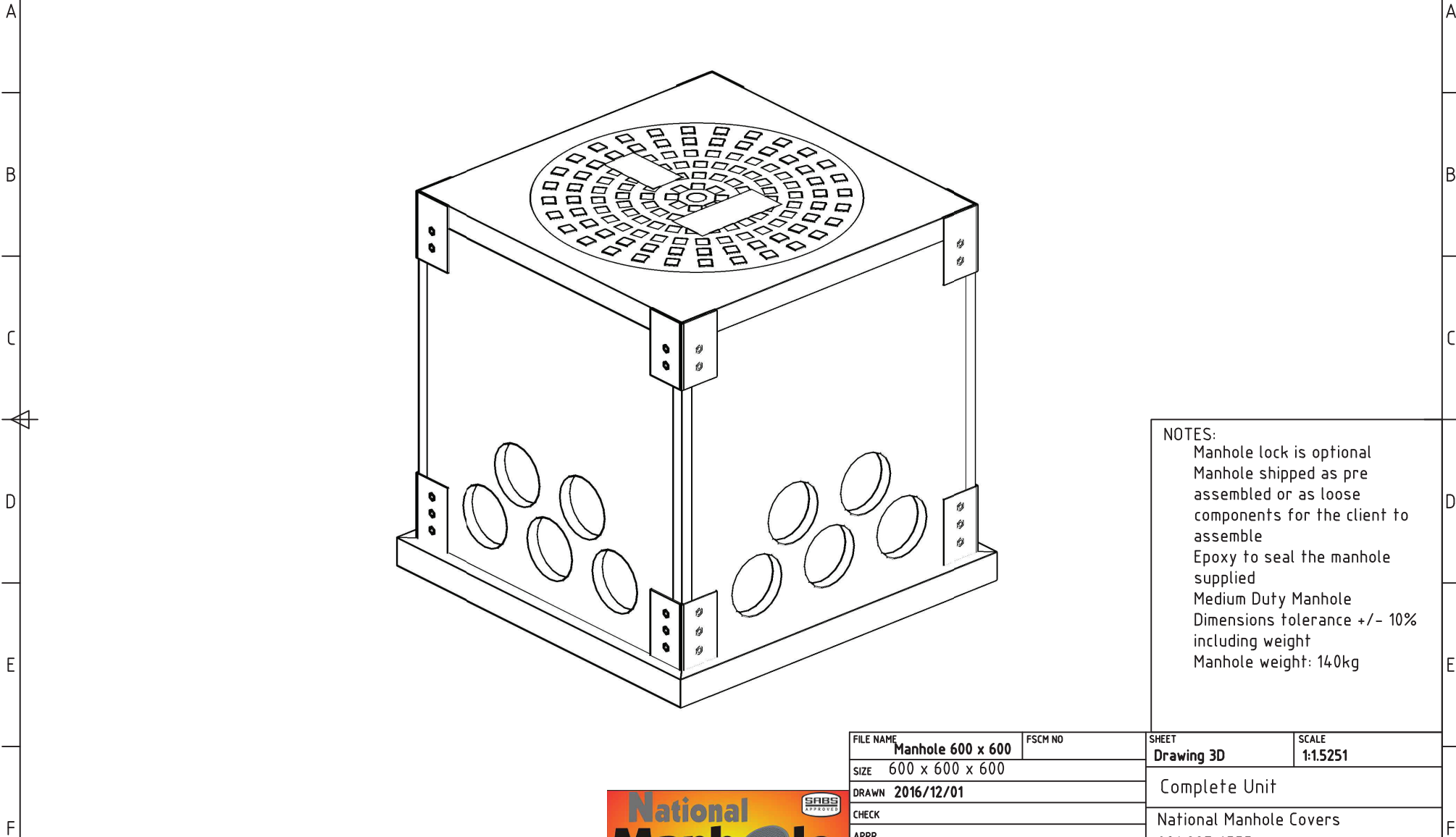
NOTES:
 Manhole constructed out of Polymer Concrete
 All metal components used must be 3CR12 or Grade 316 / 304 Stainless Steel
 Panels to be Epoxied together
 Epoxy to seal manhole edges supplied
 Weight: 140kg

FILE NAME	Manhole 600x600	FSCM NO	SHEET	Drawing 2D	SCALE	1:1.5251
SIZE	600 x 600 x 600		Technical Dimensions			
DRAWN	2016/12/01		National Manhole Covers			
CHECK			021 987 6555			
APPR.			DWG NO			
ISSUED	National Manhole Covers		DWG- 001-01			
REV						
CONTRACT NO						



1 2 3 4 5 6 7 8

RevNo	Revision note	Date	Signature	Checked



NOTES:
 Manhole lock is optional
 Manhole shipped as pre assembled or as loose components for the client to assemble
 Epoxy to seal the manhole supplied
 Medium Duty Manhole
 Dimensions tolerance +/- 10% including weight
 Manhole weight: 14.0kg

FILE NAME	Manhole 600 x 600	FSCM NO	SHEET	Drawing 3D	SCALE	1:1.5251
SIZE	600 x 600 x 600		Complete Unit		National Manhole Covers 021 987 6555	
DRAWN	2016/12/01		DWG NO		DWG - 001 - 02	
CHECK			CONTRACT NO			
APPR.						
ISSUED	National Manhole Covers					
REV						



1 2 3 4 5 6 7 8