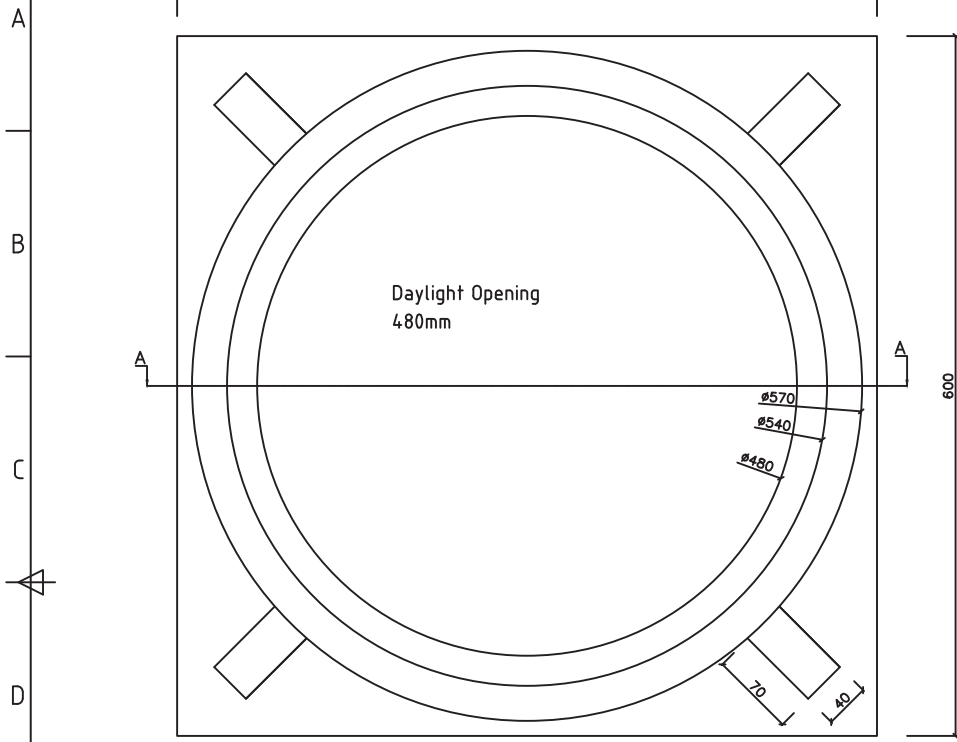


1 2 3 4

5 6 7 8

RevNo	Revision note	Date	Signature	Checked



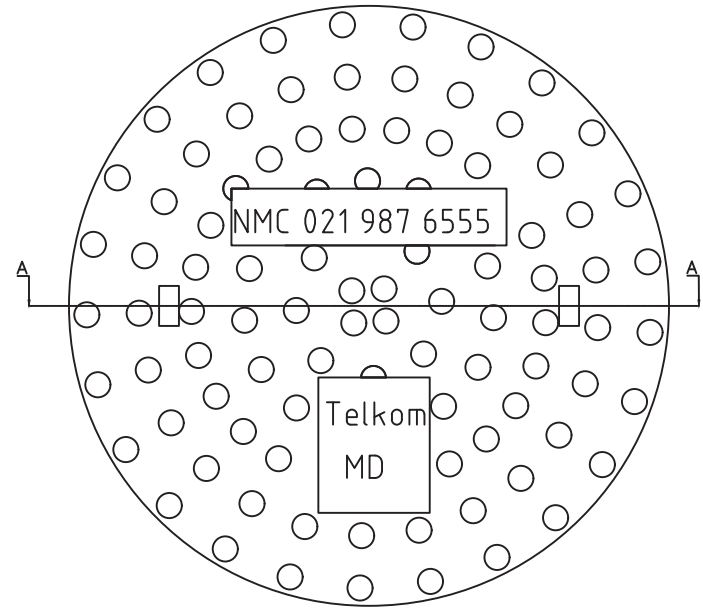
FRAME DIMENSIONS
600

Daylight Opening
480mm

Ø570
Ø540
Ø480

70
40

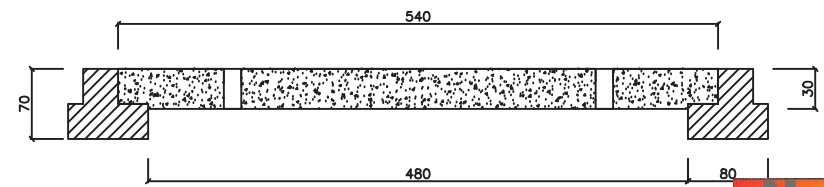
COVER DIMENSIONS



NMC 021 987 6555

Telkom
MD

COVER AND FRAME SIDE VIEW
VIEW A - A



540

70

30

480

80

- NOTES:
1. Illustration of completed product of a square frame with round cover
 2. Material : Polymer Concrete
 3. Manufactured: 1882: 2003
 4. Anti Slip pattern on cover may vary from actual product
 5. Suitable for : Driveways
 6. Weight : Cover-18kg Frame-15kg
 7. Tolerances: Dimensions +/- 10mm ;
Weight +/- 10%
 8. Locks - Optional
 9. Date Tested : 05/04/2016 Strength: 4Kn

FILE NAME Telkom 500 MD	FSCM NO	SHEET Manufacturing	SCALE 1:1.5251
SIZE 600 x 600		Duty Class Telkom 500 Medium Duty	
DRAWN 2017/1/15		National Manhole Covers 021 987 6555	
CHECK			
APPR.			
ISSUED National Manhole Covers			
REV		DWG NO DRW 012-01	
CONTRACT NO			

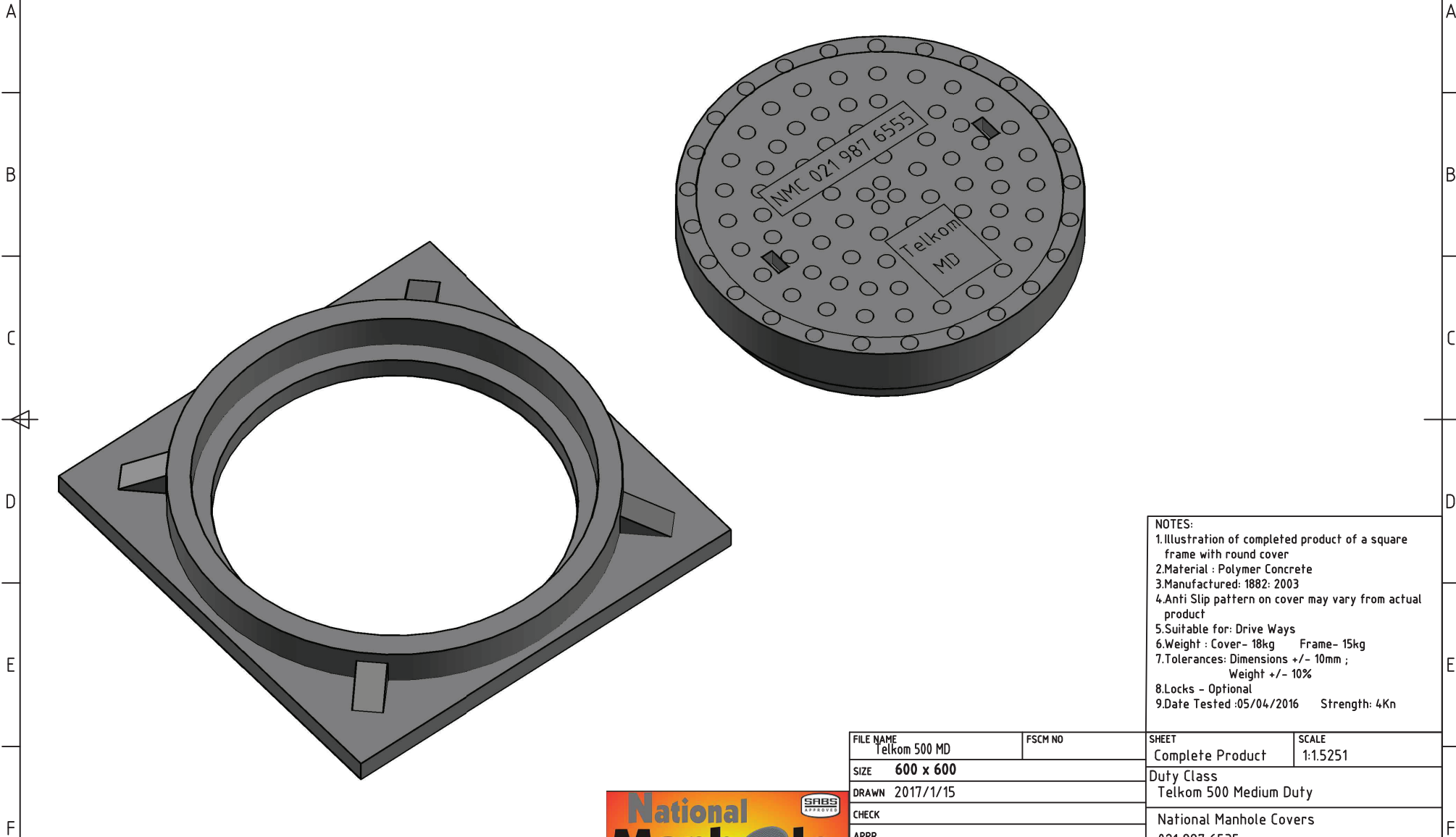


1 2 3

6 7 8

1 2 3 4 5 6 7 8

RevNo	Revision note	Date	Signature	Checked



NOTES:
 1. Illustration of completed product of a square frame with round cover
 2. Material : Polymer Concrete
 3. Manufactured: 1882: 2003
 4. Anti Slip pattern on cover may vary from actual product
 5. Suitable for: Drive Ways
 6. Weight : Cover- 18kg Frame- 15kg
 7. Tolerances: Dimensions +/- 10mm ; Weight +/- 10%
 8. Locks - Optional
 9. Date Tested :05/04/2016 Strength: 4Kn

FILE NAME Telkom 500 MD	FSCM NO	SHEET Complete Product	SCALE 1:1.5251
SIZE 600 x 600	Duty Class Telkom 500 Medium Duty		
DRAWN 2017/1/15	National Manhole Covers 021 987 6535		
CHECK	DWG NO		
APPR.	DWG 012 - 02		
ISSUED National Manhole Covers	CONTRACT NO		
REV			



1 2 3 4 5 6 7 8